



Proven Performance  
for Over 50 Years

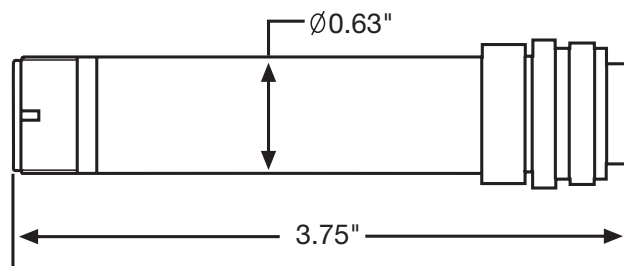
# Carrier Pickoff Amplifier

## DESCRIPTION

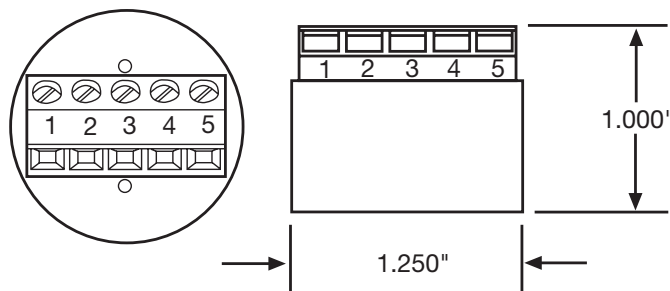
The 92-243 & 92-249 carrier preamps will work with all RC (0.350 mH) or RF (1.0 mH) type modulated carrier type pick off coils. They are used in applications which can not tolerate magnetic drag and/or require low speed or near zero velocity sensing. These preamplifiers are stable square wave pulses, thus extending the application range and signal distance of the pick off coil.

Specifications	
Input Voltage:	Min: 12.0 Vdc Max: 28.0 Vdc
Input Current Standard:	15 mA
Output Voltage: Standard:	10 Vp-p
Frequency Input Range:	Near Zero to 5k Hz
Input Sensitivity:	Standard 50 mVpp
Temperature Range:	-20° to 160°F
Distance pick off to preamp:	100 ft max
Output Protection:	Short to +VDC or Common Continuous
Response Time:	Full Scale change to 95% of final value 180m/sec
Output Ripple and Noise:	5 mVpp, <2 mV rms, .05% of F.S.
Temperature Coefficient:	25° to 40°C, 0.13%/°C, 13 mV/°C on 10V range
Explosion Proof Rating: (92-245 ONLY)	Class I, GR,C,D Class II, GR,E,F,G Class III

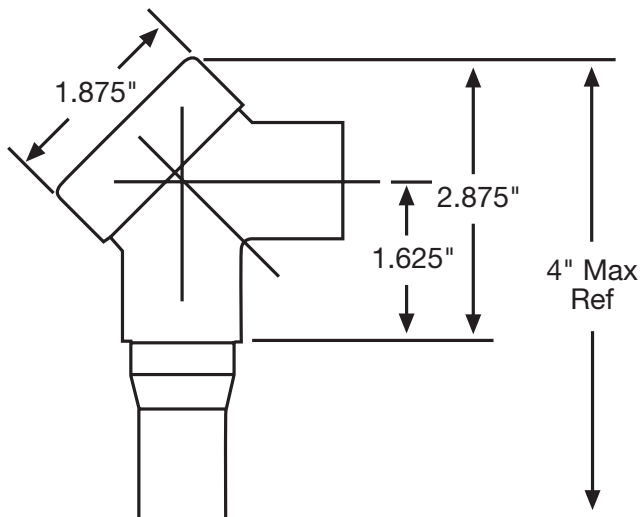
MODEL 92-243



MODEL 92-249

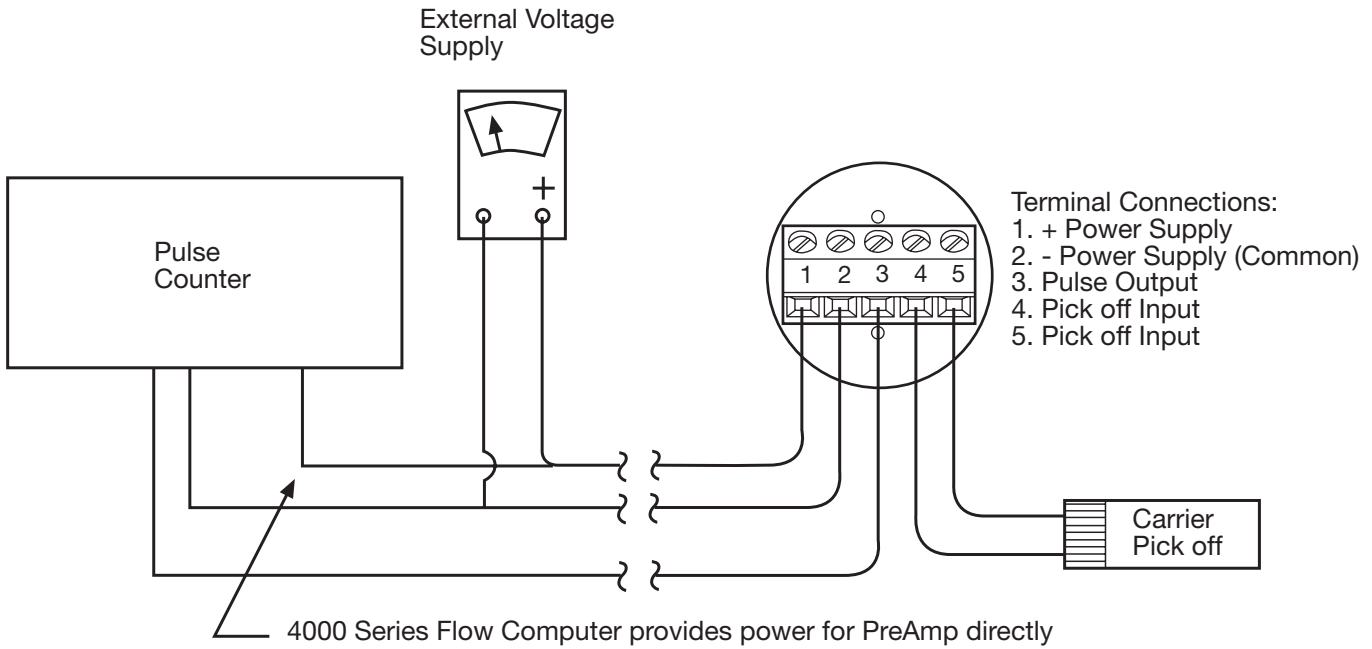


MODEL 92-245 (INCLUDES 92-249)

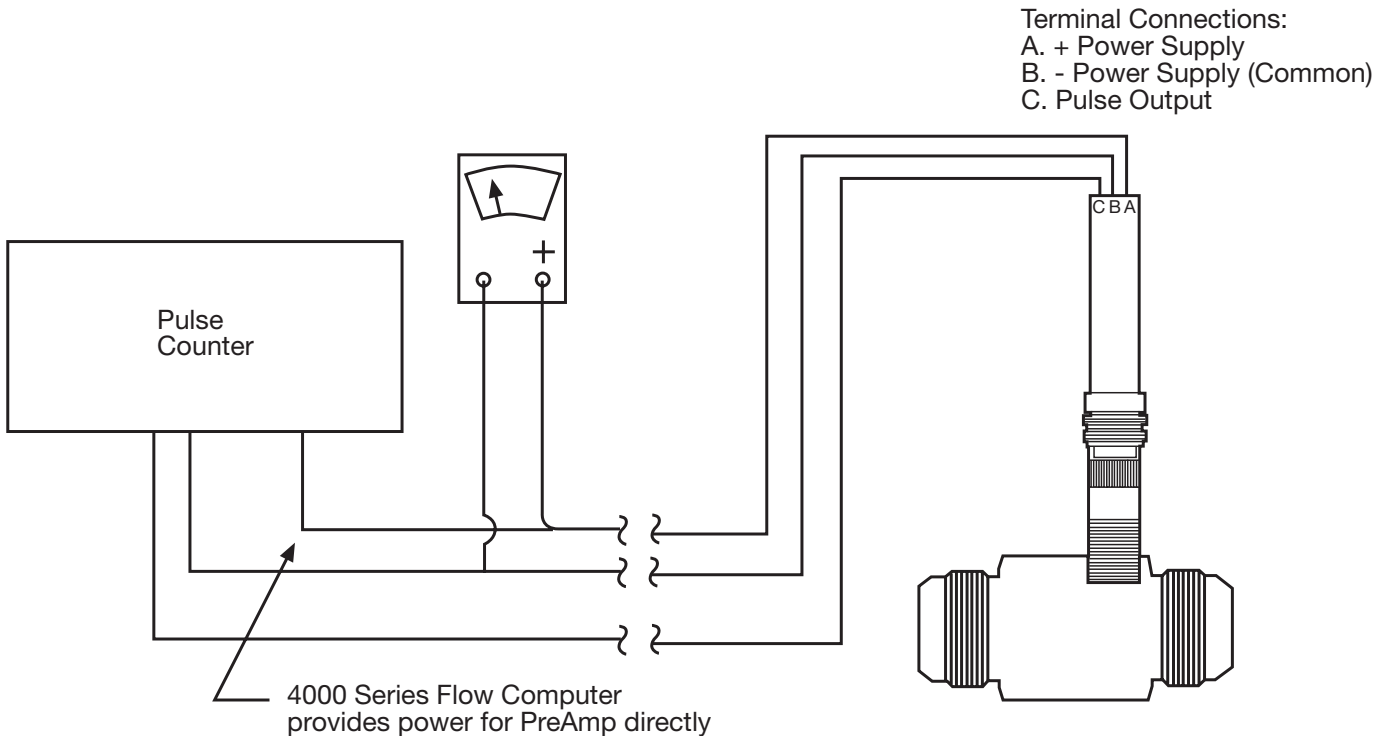


# Carrier Pickoff Amplifier

## 92-249 CARRIER SIGNAL CONDITIONER: WIRING OPTIONS



## 92-243 CARRIER SIGNAL CONDITIONER: WIRING OPTIONS



Proven Performance  
for Over 50 Years

For more information, contact COX Instruments  
or your local COX Instruments representative.

15555 North 79th Place • Scottsdale, AZ 85260  
tel: (480) 922-7446 • fax: (480) 948-3610  
[www.cox-instruments.com](http://www.cox-instruments.com)

©2007- Cox Instruments 1138-xx 1200TC1