



Proven Performance
for Over 50 Years

Model 106-255 Modulated Carrier Signal Conditioner

DESCRIPTION

The COX Signal Conditioning System has been designed specifically for measuring turbine speed in turbine flowmeters, with an emphasis on low speed operation. As a result, fluid flow at low turbine speeds may be accurately measured without sustaining the significant turbine drag normally encountered in magnetic flowmeter transducer pickups. The carrier pickup is physically interchangeable with magnetic pickups. Meters must be recalibrated. Linearizing may be necessary at the factory. Additionally, the signal conditioner may be used to boost the output from pulse producing flowmeter transducer pickups, where the cable run from the transducer to indicator or ancillary equipment exceeds 500 feet. This signal conditioner pulse output is ideally suited for driving ancillary equipment such as controllers, totalizers, computers, and variable time base counters. In addition, the Modulated Carrier Signal Conditioner may be used as a dragless tachometer for measuring shaft speed, displacement, etc.

Meter Mounted Model 106-255

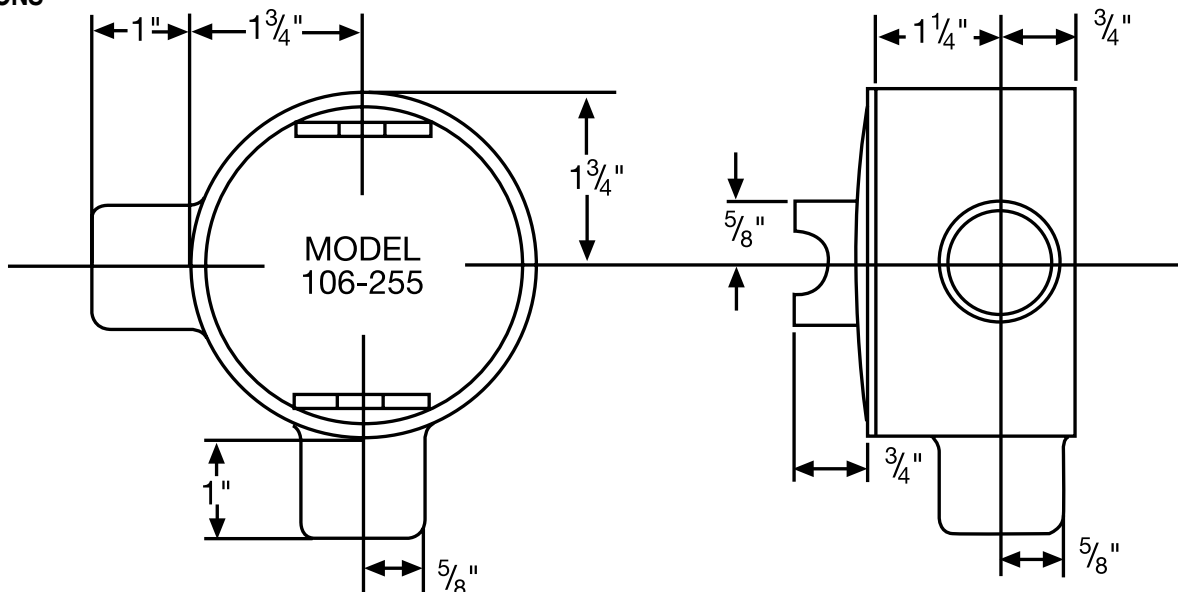
2-Wire Connection

Power:	12-28 VDC
Output:	5 volt nominal with 24 volt, 250 ohm load resistor, 24 volt supply
Output Impedance:	400 ohms nominal

3-Wire Connection

Power:	12-28 VDC
Output:	Open collector may be returned to any logic supply from 5-30 VDC through an external load resistor. Maximum current through the load resistor is 40 mA. Output voltage is greater than logic supply minus 1.5 VDC.
Output Impedance:	$Z = R_L$

DIMENSIONS



For more information, contact COX Instruments or your local COX Instruments representative.