



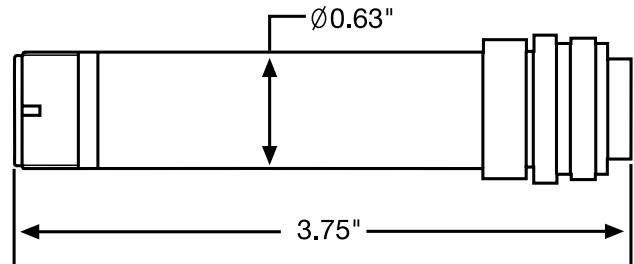
Proven Performance
for Over 50 Years

Magnetic Pickoff Amplifier

DESCRIPTION

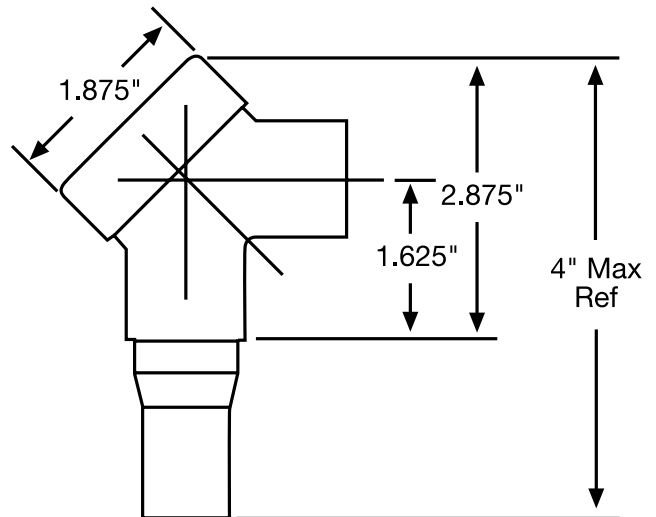
The 92-242 & 92-248 magnetic preamps will work with all magnetic (variable reluctance and inductive) pick off coils. These preamplifiers are designed to convert low level signals into a stable square wave pulse, thus extending the application range and signal distance to the pick off coil.

MODEL 92-242

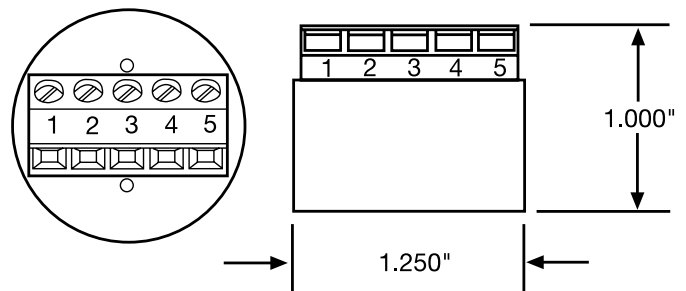


| Specifications | |
|--|--|
| Input Voltage: | Min: 5.0 Vdc Max: 28.0 Vdc |
| Input Current Standard: | 15 mA |
| Output Voltage: Standard: | 10 Vp-p |
| Frequency Input Range: | Near Zero to 10k Hz |
| Input Sensitivity: | Standard 50 mVpp |
| Temperature Range: | -20° to 160°F |
| Distance pick off to preamp: | 100 ft max |
| Output Protection: | Short to +VDC or Common Continuous |
| Response Time: | Full Scale change to 95% of final value 180 m sec |
| Output Ripple and Noise: | 5 mVpp, <2 mV rms, .05% of F.S. |
| Temperature Coefficient: | 25 to 40°C, 0.13%/°C, 13 mV/°C on 10 V range |
| Explosion Proof Rating: (92-244 ONLY) | Class I, GR.C,D Class II, GR.E,F,G Class III |

MODEL 92-244 (INCLUDES 92-248)

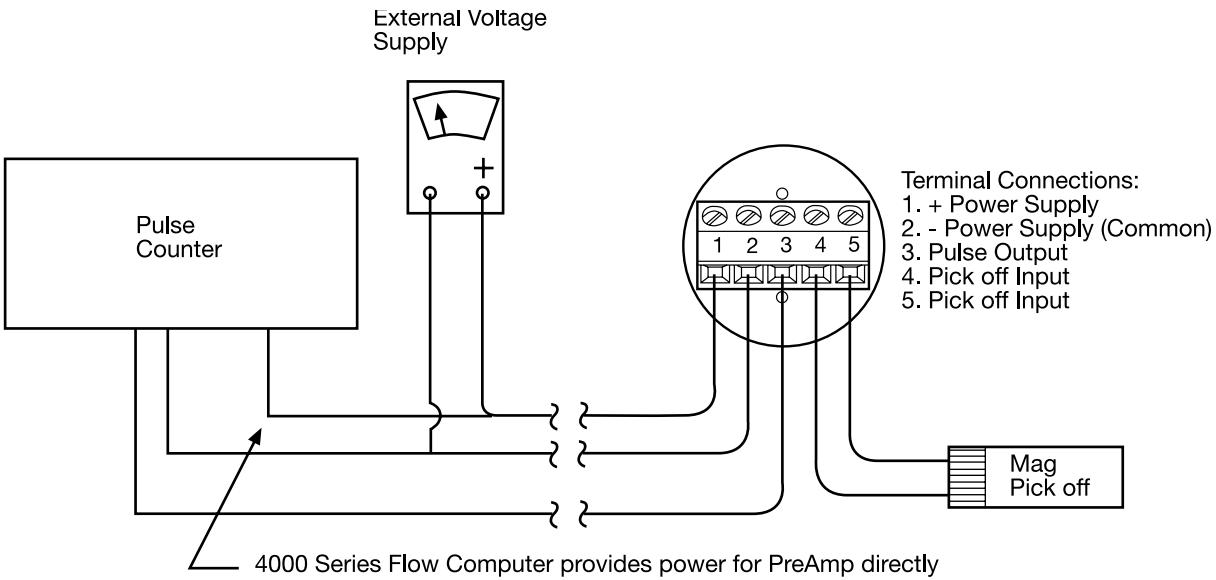


MODEL 92-248

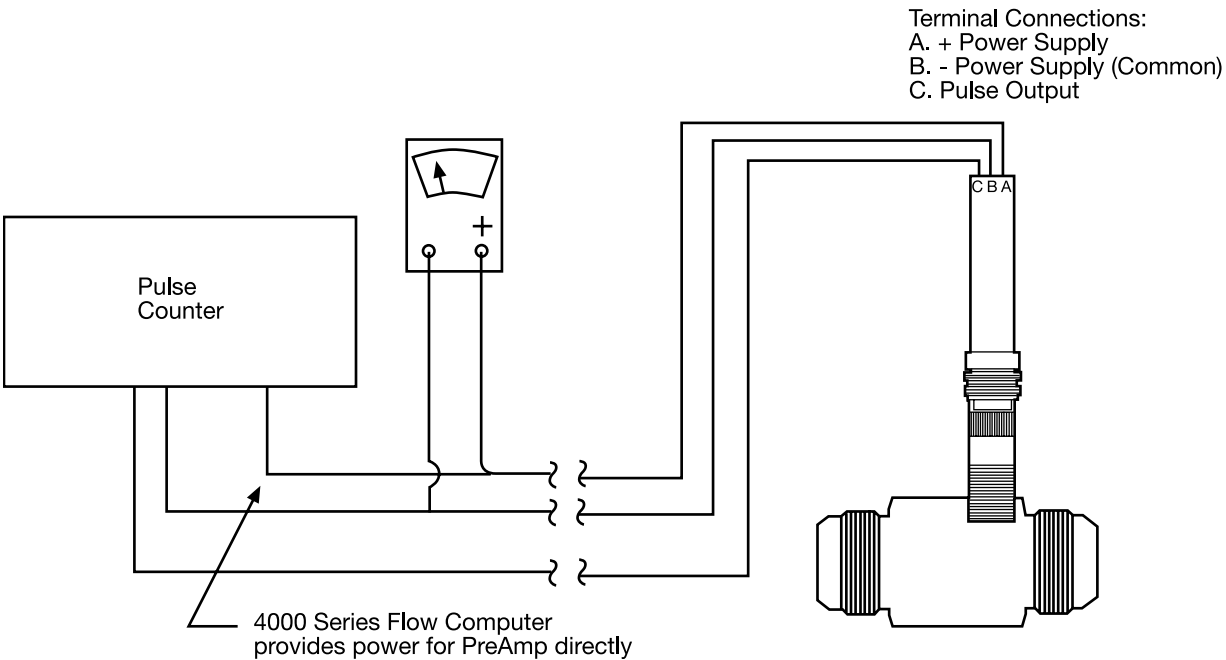


Magnetic Pickoff Amplifier

92-248 MAGNETIC SIGNAL CONDITIONER: WIRING OPTIONS



92-242 MAGNETIC SIGNAL CONDITIONER: WIRING OPTIONS



For more information, contact COX Instruments
or your local COX Instruments representative.



*Proven Performance
for Over 50 Years*

15555 North 79th Place • Scottsdale, AZ 85260
tel: (480) 922-7446 • fax: (480) 948-3610
www.cox-instruments.com

©2007- Cox Instruments 1015-500 1101TC3