



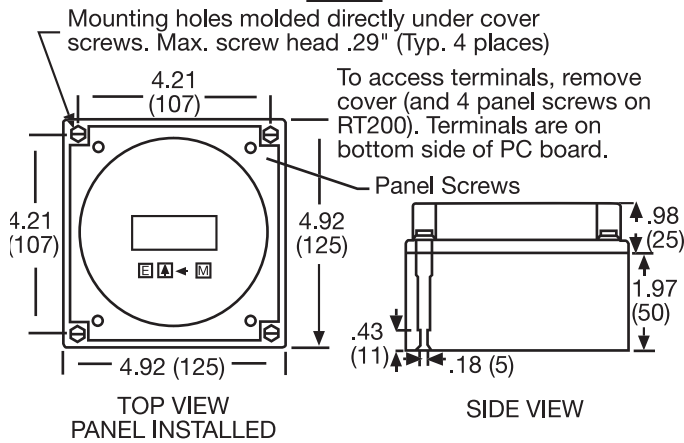
Proven Performance
for Over 50 Years

RT 200/RT 200-XP Ratemeter & Totalizer

DESCRIPTION

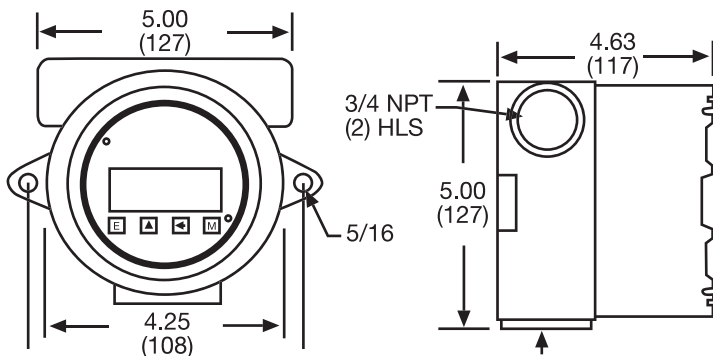
Rate/Totalizer Battery Powered with 4-20 mA Rate Output.

RT200



RT200-XP

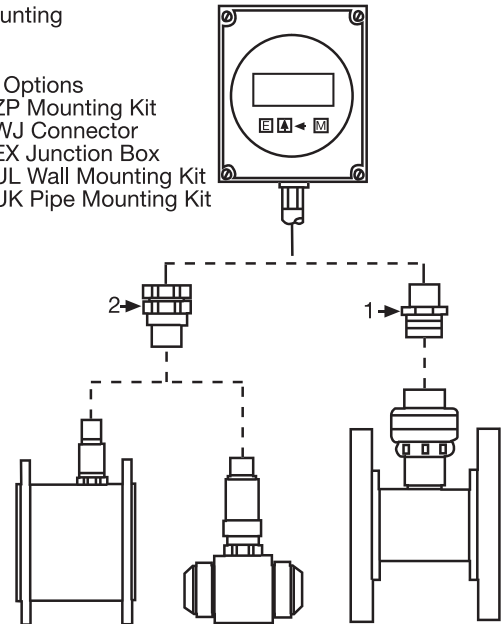
To access terminals, unscrew cover and loosen 2 panel screws. (If screws are removed, spacers may drop out.) Terminals are on bottom side of PC board.



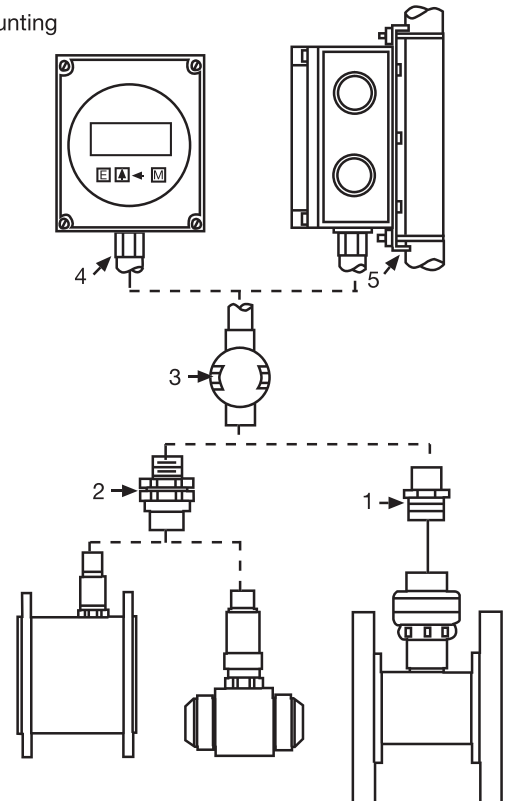
Direct mounting

Mounting Options

1. A2019ZP Mounting Kit
2. A2053WJ Connector
3. A2020EX Junction Box
4. A2053UL Wall Mounting Kit
5. A2053UK Pipe Mounting Kit



Remote mounting



RT 200/RT 200-XP Ratemeter & Totalizer

Specifications				
Power				
Loop Powered: Voltage:	8.5 to 30 VDC (Supplied with one C Size Lithium Battery)			
Protection:	Reverse Polarity Protection on Current Loop			
Loop Burden:	8.5 V Maximum			
Display				
Rate Display:	(Selectable Decimal) 4.5 Digits (19999), 0.35" High, Display updates every two seconds			
Rate Descriptors:	/sec, /min, /hr			
Minimum Input Frequency:	0.125 Hz to 10 Hz (selectable delay of 0.1 to 8 seconds)			
Totalizer Display:	(Selectable Decimal) 8 Digits (99999999), 0.2" High			
Totalizer Descriptors:	gal, lit, ft ³ , m ³ , "blank"			
Warning Display:	Low Battery Warning "BAT"			
Pulse Output (The pulse output advances with the least significant digit of the totalizer.)				
Type:	Opto-Isolated open collector transistor			
Max Voltage (Off State):	30 VDC			
Max Current (On State):	5 mA @ 0.9 V drop, 0.1 mA @ 0.7 V drop			
Pulse Duration:	Selectable (see below)			
Pulse Output Rate:	Selectable (see below)			
SPEED (Hz)	1	2	3	4
Min. on/off (m/sec)	500	250	125	62.5
Pulse Output Divider:	Use selectable, ÷1, ÷10, ÷100 or OFF NOTE: Select OFF for max. battery life.			
Environment				
Operating Temperature:	-4°F to +158°F			
Humidity:	0-90% Non condensing			
Accuracy				
Temp. Drift:	0.01% Reading ±1 Count 50 ppm/Degree C (Worse Case)			

Specifications (continued)	
Inputs	
Magnetic Pickup Input Frequency Range:	0 to 3500 Hz
Trigger Sensitivity:	30 mV p-p
Over Voltage Protected:	± 30 VDC
Opto-Isolated DC Pulse Input High (Logic 1):	4-30 VDC
Low (Logic 0):	Less than 1 VDC
Minimum Current:	0.50 mA
Hysterersis:	0.4 VDC
Frequency Range:	0 to 5 KHz
Minimum Pulse Width:	0.1 msec
Contact Closure Input (Contact Closure to Common) Input Pullup Resistor:	100K Ω to +3.6 VDC
High (Logic 1):	Open or 4-30 VDC
Low (Logic 0):	Less than 0.5 VDC
Internal Switch Debounce Filter:	0 to 40 Hz
Reset Input (Contact Closure to Common) Internal Pullup Resistor:	100K Ω to +3.6 VDC
High (Logic 1):	Open or 4-30 VDC
Low (Logic 0):	Less than 0.5 VDC
Minimum On:	25 msec
K Factor	
Range:	0.001 to 59999 (divider)
Decimal Point Locations:	XX.XXX to XXXXX
Analog Output	
Type:	4-20 mA follows rate display, 2 wire hookup
Accuracy:	±0.15% Full Scale at 20°C
Temperature Drift:	50 ppm/°C (Typical) 200 ppm/°C (Worse Case)
Reverse Polarity Protected:	Unit uses 4-20 mA loop power as its power source when this option is used.

For more information, contact COX Instruments or your local COX Instruments representative.



Proven Performance for Over 50 Years

15555 North 79th Place • Scottsdale, AZ 85260

tel: (480) 922-7446 • fax: (480) 948-3610

www.cox-instruments.com

©2007- Cox Instruments 830-XX 090804

